



- TASTE THE DIFFERENCE -

## MODEL SLX400C

Features the Genesis Series™ with the Virtual Quality Management System™ to streamline your business. Offer your guests a smooth creamy consistent yogurt, ice cream, custard or sorbet! The 22" wide footprint available as a counter model allows for more units in a smaller space. The perfect yogurt shop freezer is great for adding flavors to ice cream shops, too! Great for QSRs, retirement villages and hospital cafeterias.

## The Electro Freeze Advantage

- **Virtual Quality Management System™** monitors Temperature and Consistency to provide superior taste and quality.
- **Multi-function LED display** with manager smart tools.
- **Innovative Solutions** providing the best product quality in the industry.
- **Meets ADA Specifications** for self service applications
- **Self-closing handles** eliminate waste
- **Patented auger** gently blends reducing agitation and maintaining product quality and consistency.
- **Simple to operate** and easy to clean
- **Experience Tells** Electro Freeze has been manufacturing quality frozen treat machines since 1929. Superior engineering, product innovations, sturdy construction, quality craftsmanship and dependable performance are Electro Freeze hallmarks.
- **Superior Service Support** backed by a world-wide distributor network.

## SOFT SERVE FREEZER GENESIS SERIES™ featuring

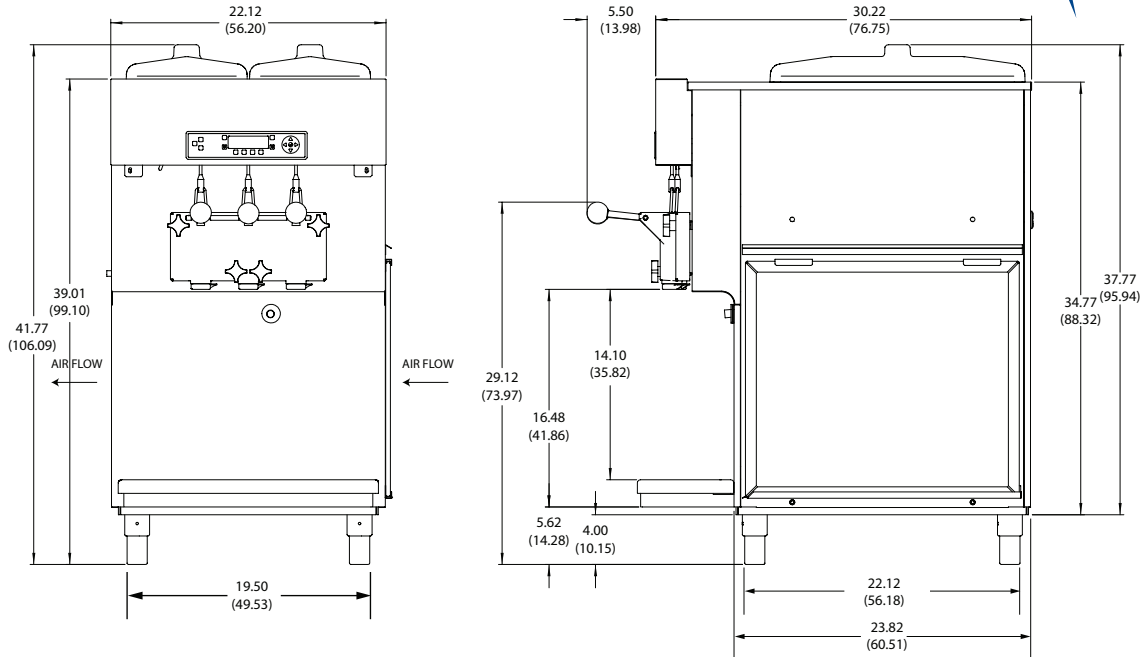
  
**Virtual Quality  
Management System™**



**Let VQM help manage your frozen  
dessert business more effectively.**



**SLX400C Soft Serve Freezer**



**MODEL SLX400C SPECIFICATIONS**

Due to continual product improvements all specifications are subject to change without notice.

<b>Weights</b>	<b>lbs.</b>	<b>kgs.</b>
Net	420	190.5
Crated	500	226.79
	<b>cu.ft.</b>	<b>cu.m.</b>
Volume	15	.43
<b>Dimensions</b>	<b>in.</b>	<b>cm</b>
Width	22-1/8	56.20
Depth	30-1/8	76.52
Height	37-11/16	95.73
<b>Electrical</b>	<b>Maximum Fuse Size</b>	<b>NEMA Plug Type</b>
208-230/60/1 Air	20	6-20P
	<b>Total Amps</b>	<b>kW</b>
220-240/50/1 Air	15.7	3.2

Electrical characteristics other than above available on request from factory or local distributor. Check nameplate for exact electrical data.

**Bidding Spec**

Electrical: Volt \_\_\_\_\_ Hz \_\_\_\_\_ Ph \_\_\_\_\_

Cooling: \_\_\_\_\_ Neutral \_\_\_\_\_ Yes \_\_\_\_\_ No

Options: \_\_\_\_\_

\_\_\_\_\_

\_\_\_\_\_

**Electrical**

One dedicated electrical connection is required. See electrical chart for the proper requirement. Consult your local electrical codes for cord and receptacle specifications.

**Beater Motor**

Two, 1 hp.

**Refrigeration Systems**

One, 6,900 Btuh. R404a.  
Btuh may vary depending on compressor used.

**Air Cooled**

6" (15.2 cm) air space required on both sides for proper air circulation and be open on the top.

**Mix Hopper Capacity:** two - 12 quarts (11.4 liters) each

**Freezing Cylinder Capacity:** two - 2.7 quarts (2.6 liters) each

Certified and/or listed by:



\*UL listed and listed by Underwriters Laboratories under Canadian National Standard C22.2 No. 120-13



**Electro Freeze div. of H.C. Duke & Son, LLC**

2116-8th Avenue, East Moline, Illinois 61244 USA  
Phone (309) 755-4553 • (800) 755-4545  
FAX (309) 755-9858  
E-mail: sales@electrofreeze.com • www. electrofreeze.com

**Authorized Distributor**

**LOVE'S THERMAL SYSTEMS, INC.**

Wilkes-Barre / Harrisburg

800-564-8591

www.lovesthermal.com